

INDEX

ACG-3 SCHEMATIC DIAGRAMS

<u>DRAWING NAME</u>	<u>REFERENCE DWG</u>
ACG-3 BLOCK DIAGRAM	ACG-3-SCH-02
ACG-3 BASE PLATE SCHEMATIC DIA.	ACG-3-SCH-03
ACG-3 RF CHASSIS SCHEMATIC DIA.	ACG-3-SCH-04
ACG-3 FRONT PANEL SCHEMATIC DIA.	ACG-3-SCH-05
ACG-3 REAR PANEL SCHEMATIC DIA.	ACG-3-SCH-06
ACG-3 TRANSFORMER ASSEMBLY SCHEMATIC DIA.	ACG-3-SCH-07
ACG-3 CONTROL BOARD SCHEMATIC DIA.	ACG-3-SCH-08

ENI

ELECTRONIC NAVIGATION INDUSTRIES INC.
100 HIGHPOWER ROAD
ROCHESTER, NEW YORK 14623

NOTE: DOCUMENTATION GENERATED USING THE HIWIRE SOFTWARE. THE DISKS AND FILES
WILL BE ARCHIVED IN THE VAULT. DISK NAME: ACG-3
FILE NAME: ACG-3.IND

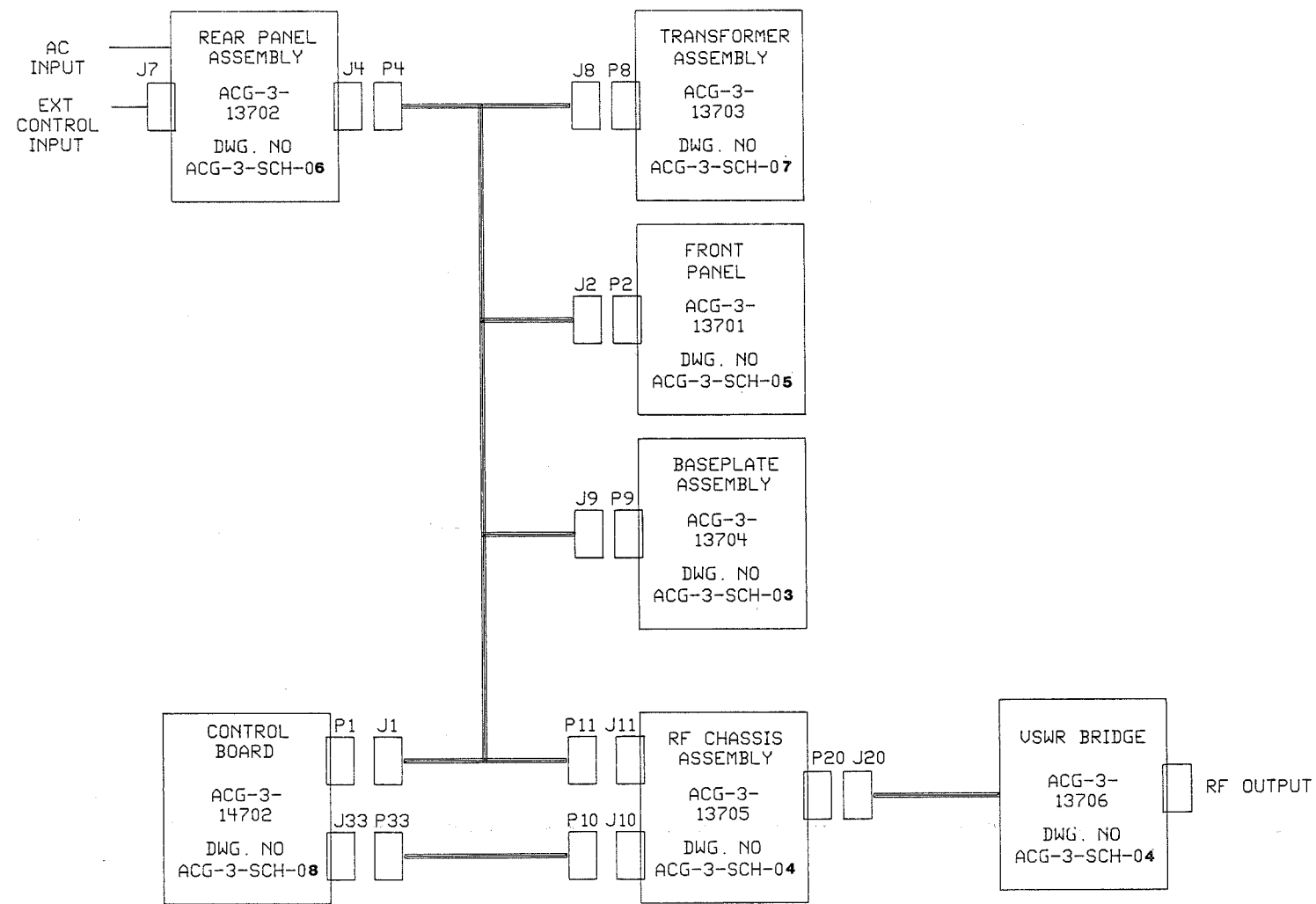
REV	DESCRIPTION	APPROVED	DATE	REV	DESCRIPTION	APPROVED	DATE
				A	NEW RELEASE	FUC	6/1/92

DRAWN	FUC	4/91
CHK.	JM	6/92
ENG.	JM	6/92
APP.	JM	6/92

INDEX
ACG-3

DWG. NO. ACG-3-SCH-01
SHEET 1 OF 1

REV
A



ENI ELECTRONIC NAVIGATION INDUSTRIES INC.
100 HIGHPOWER ROAD
ROCHESTER, NEW YORK 14623

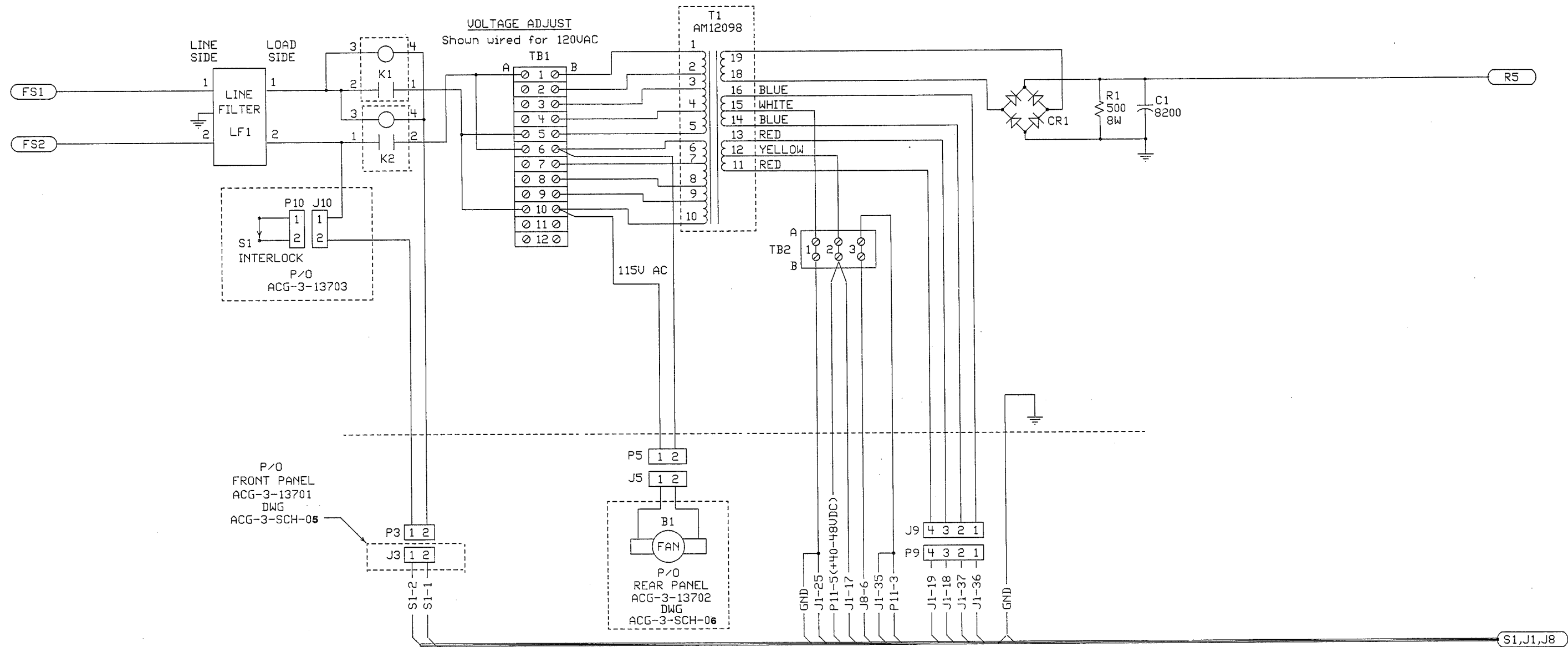
NOTE: DOCUMENTATION GENERATED USING THE HIWIRE SOFTWARE. DISKS AND FILES WILL BE ARCHIVED IN THE VAULT.
DISK NAME ACG-3
FILE NAME ACG-3.BD

REV	DESCRIPTION	APPROVED	DATE	REV	DESCRIPTION	APPROVED	DATE	DRAWN	FUC	DATE	BLOCK DIAGRAM ACG-3
				A	NEW DOCUMENT ADDED	<i>Jms</i>	6/12/92			4/92	
								CHK.	<i>JMS</i>	6/92	
								ENG.	<i>GM</i>	6/92	
								APP.	<i>Jms</i>	6/92	

DWG. NO. ACG-3-SCH-02

REV
A

SHEET 1 OF 1



NOTE

1. UNLESS OTHERWISE SPECIFIED
 - A. ALL RESISTOR VALUES IN OHMS
 - B. ALL CAPACITOR VALUES IN MICROFARADS
 - C. ALL INDUCTOR VALUES IN MICROHENRIES
2. VOLTAGE MEASUREMENTS TAKEN WITH NO SIGNAL APPLIED USING A VOLTMETER WITH A HIGH INPUT IMPEDANCE (>10 MEGOHMS OR GREATER).
3. ALL VOLTAGES ARE DC POSITIVE WITH RESPECT TO GROUND UNLESS OTHERWISE NOTED.

BASEPLATE ASSEMBLY
AGC-3-13705

ENI ELECTRONIC NAVIGATION INDUSTRIES INC.
100 HIGHPOWER ROAD
ROCHESTER, NEW YORK 14623

REV	DESCRIPTION	APPROVED	DATE	REV	DESCRIPTION	APPROVED	DATE	DRAWN	FUC	DATE	BASE PLATE SCHEMATIC DIAGRAM
				L	DOCUMENTATION PUT ON ENI FORMAT	<i>[Signature]</i>	6/12/92	CHK.	<i>[Signature]</i>	6/92	ACG-3
								ENG.	<i>[Signature]</i>	6/92	
								APP.	<i>[Signature]</i>	6/92	

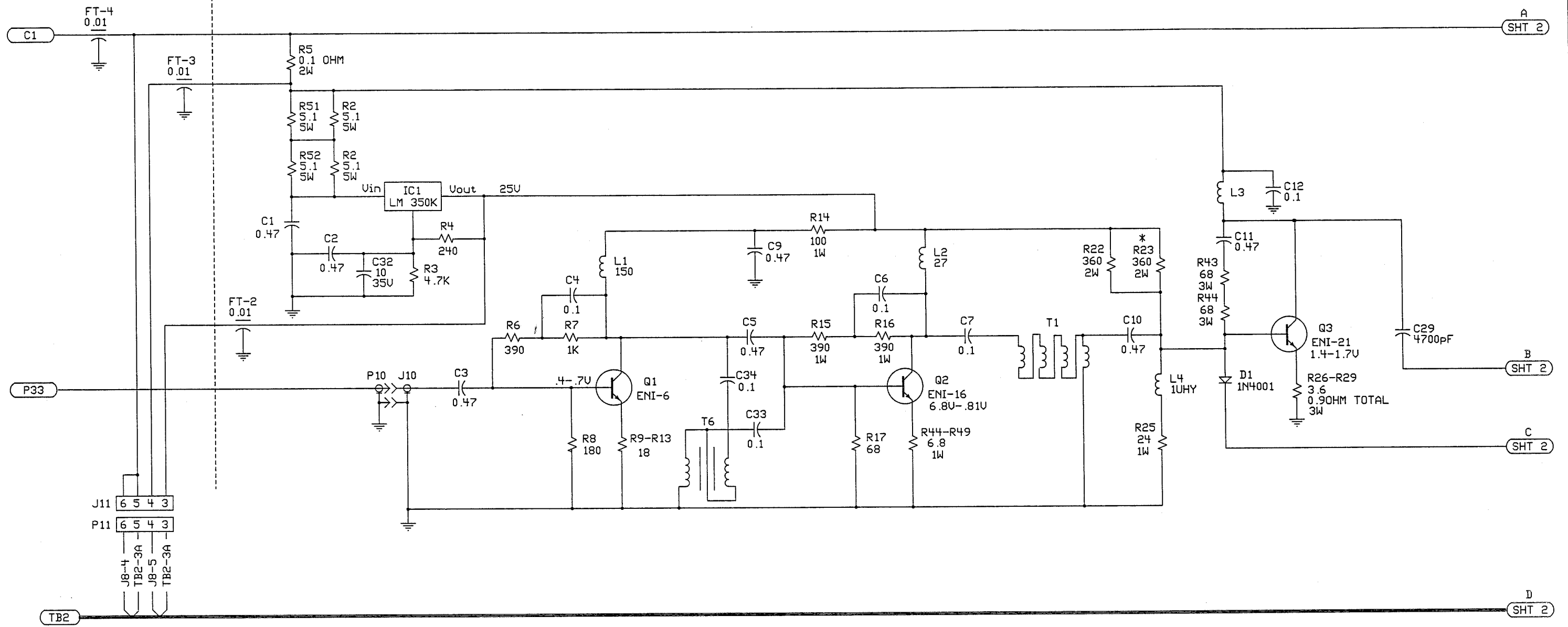
NOTE: DOCUMENTATION GENERATED USING THE HIWIRE SOFTWARE. DISKS AND FILES WILL BE ARCHIVED IN THE VAULT. REFERENCE DWG. DISK NAME ACG-3 FILE NAME ACG-3.BPA

ACG-3-SCH-04 DESIG. R5, P11
 ACG-3-SCH-05 DESIG. S1
 ACG-3-SCH-06 DESIG. FS1, FS2
 ACG-3-SCH-07 DESIG. J8

ACG-3-SCH-08 DESIG. J1

DWG. NO. ACG-3-SCH-03

SHEET 1 OF 1



NOTE

- UNLESS OTHERWISE SPECIFIED
 - ALL RESISTOR VALUES IN OHMS
 - ALL CAPACITOR VALUES IN MICROFARADS
 - ALL INDUCTOR VALUES IN MICROHENRIES
- VOLTAGE MEASUREMENTS TAKEN WITH NO SIGNAL APPLIED USING A VOLTMETER WITH A HIGH INPUT IMPEDANCE (>10 MEGOHMS OR GREATER).
- ALL VOLTAGES ARE DC POSITIVE WITH RESPECT TO GROUND UNLESS OTHERWISE NOTED.

RF CHASSIS ASSEMBLY
ACG-3-13705

ENI

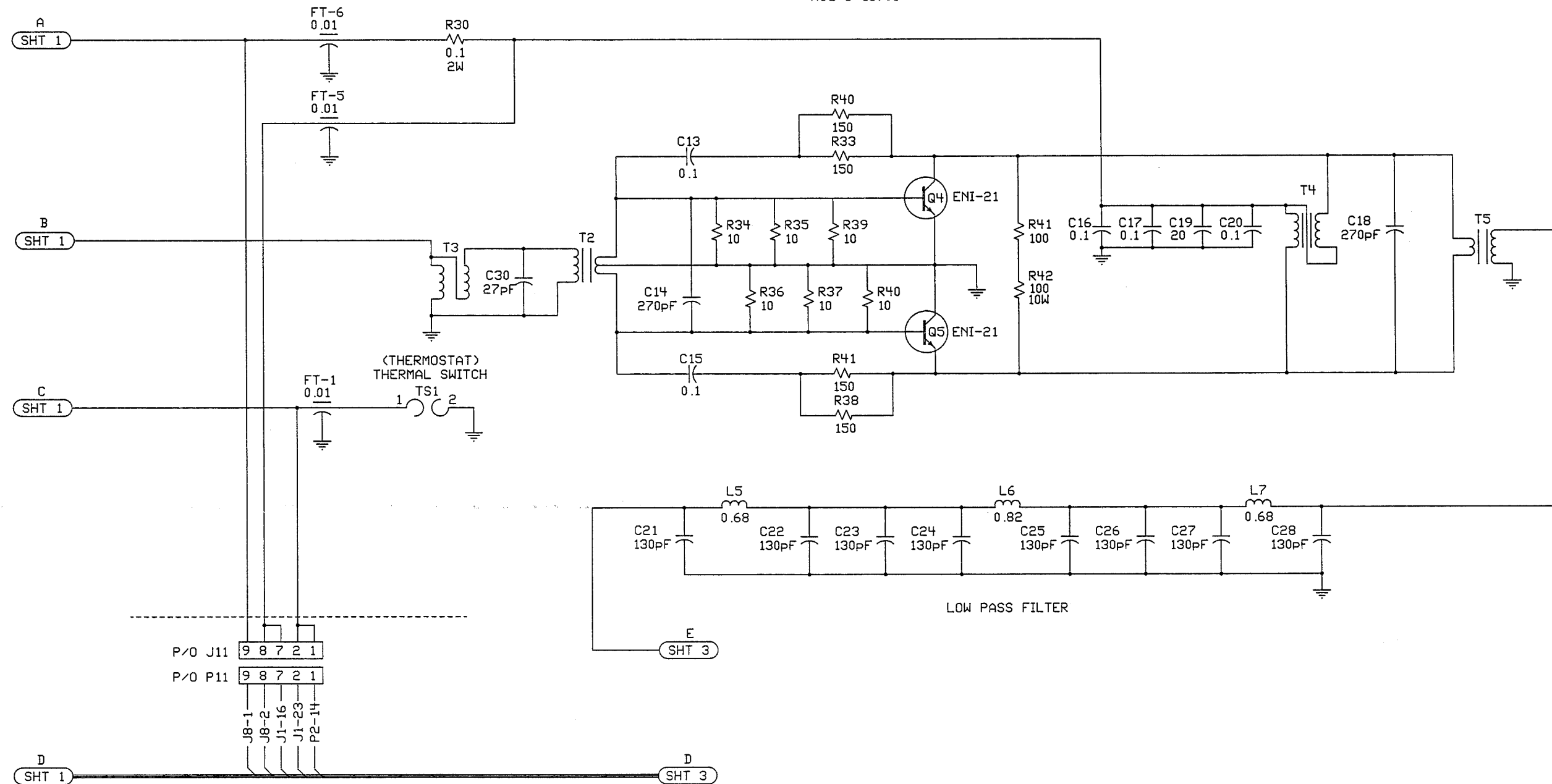
ELECTRONIC NAVIGATION INDUSTRIES INC.
100 HIGHPOWER ROAD
ROCHESTER, NEW YORK 14623

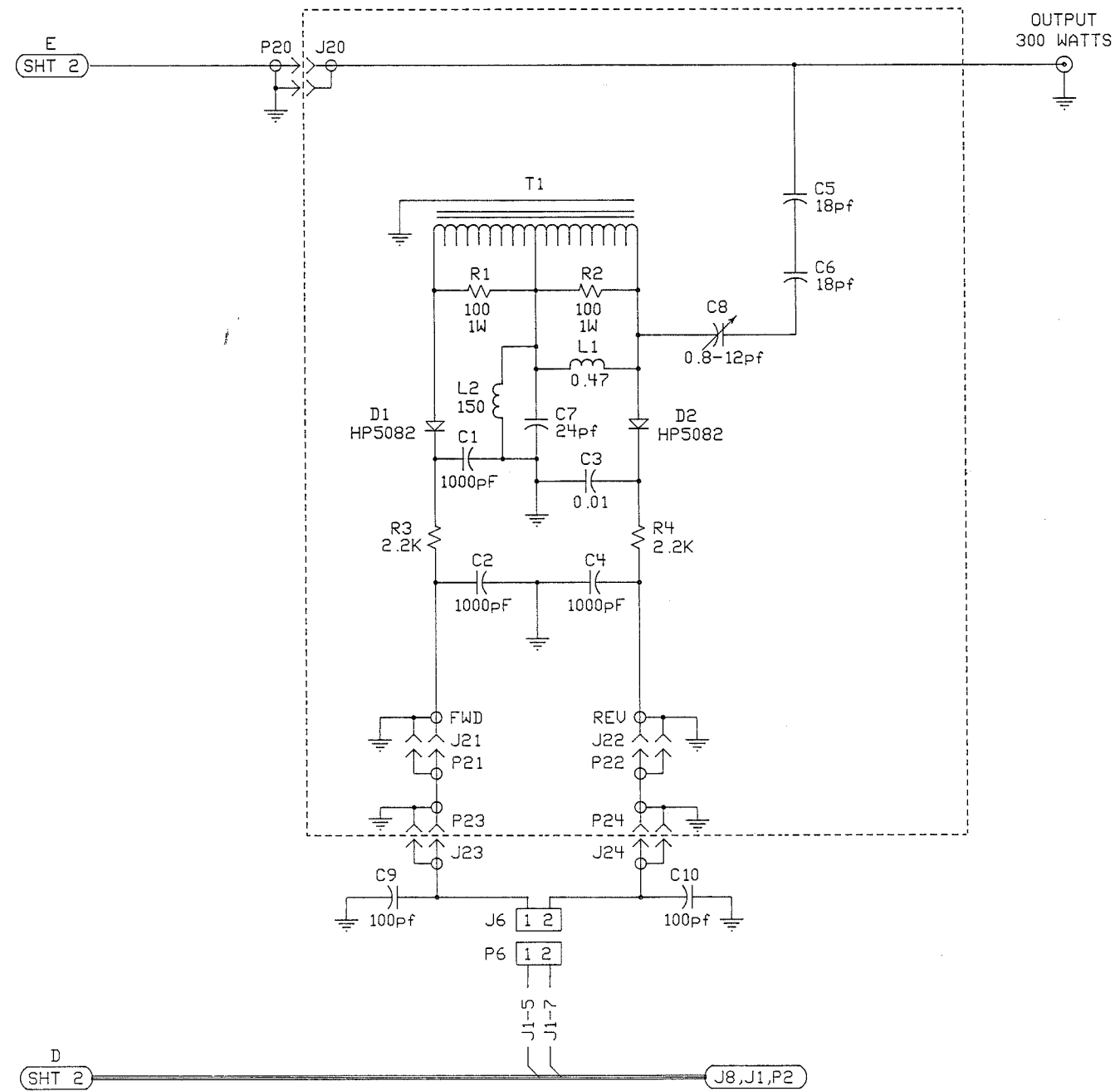
NOTE: DOCUMENTATION GENERATED USING THE HIWIRE SOFTWARE. DISKS AND FILES WILL BE ARCHIVED IN THE VAULT.
REFERENCE DWG.
ACG-3-SCH-03 DESIG. TB2, C1
ACG-3-SCH-05 DESIG. P2
ACG-3-SCH-07 DESIG. J8
ACG-3-SCH-08 DESIG. J1, P33

REV	DESCRIPTION	APPROVED	DATE	REV	DESCRIPTION	APPROVED	DATE	DRAWN	FUC	DATE	RF CHASSIS SCHEMATIC DIAGRAM
				L	DOCUMENTATION PUT ON ENI FORMAT	JMG	6/92	CHK.	JMG	6/92	ACG-3
				M	ECO 5613	FUC	7/9/93	ENG.	JMG	6/92	DWG. NO. ACG-3-SCH-04
								APP.	JMG	6/92	SHEET 1 OF 3

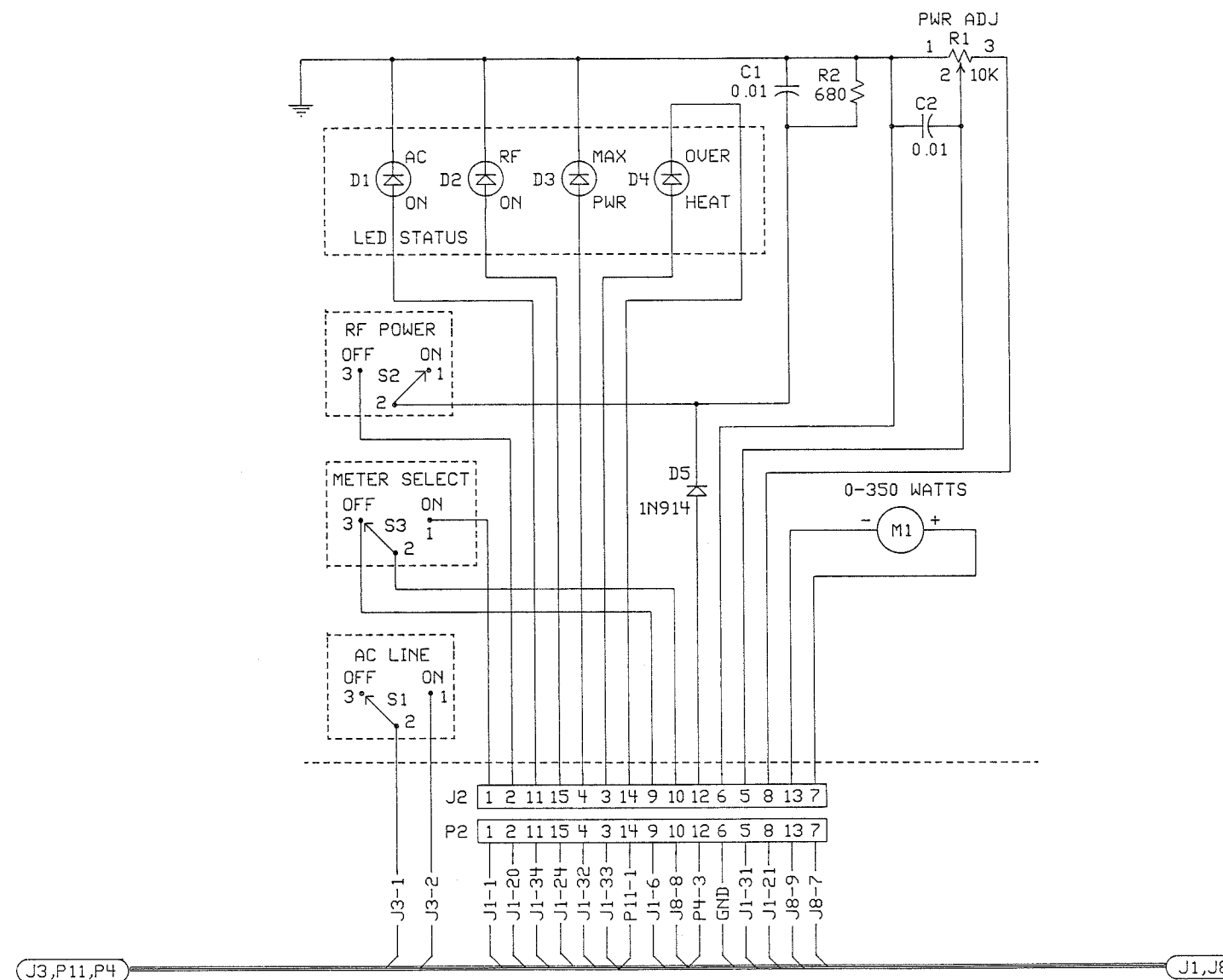
REV
M

P/O
RF CHASSIS ASSEMBLY
ACG-3-13705





USWR BRIDGE ASSEMBLY
ACG-3-13706



FRONT PANEL ASSEMBLY
ACG-3-13701

NOTE

1. UNLESS OTHERWISE SPECIFIED
 A. ALL RESISTOR VALUES IN OHMS
 B. ALL CAPACITOR VALUES IN MICROFARADS
 C. ALL INDUCTOR VALUES IN MICROHENRIES
2. VOLTAGE MEASUREMENTS TAKEN WITH NO SIGNAL APPLIED USING A VOLTMETER WITH A HIGH INPUT IMPEDANCE (10 MEGOHMS OR GREATER).
3. ALL VOLTAGES ARE DC POSITIVE WITH RESPECT TO GROUND UNLESS OTHERWISE NOTED.

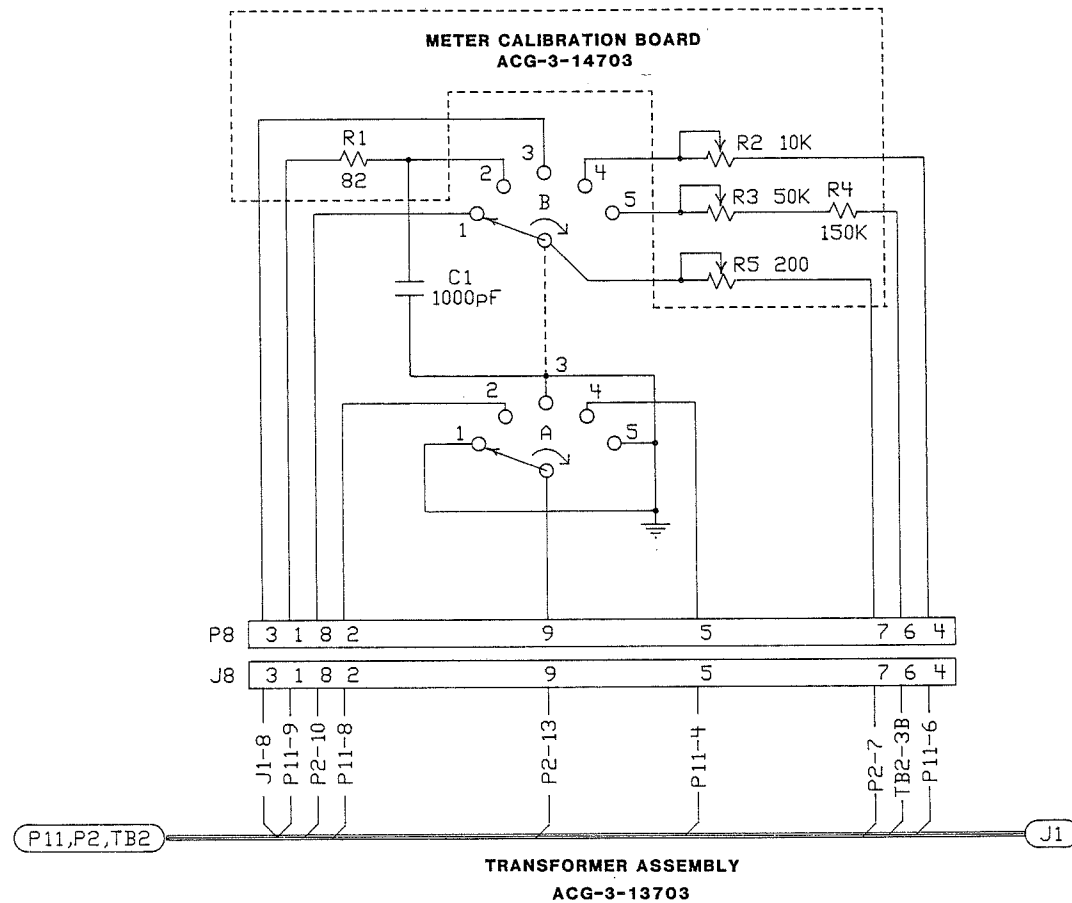
NOTE: DOCUMENTATION GENERATED USING THE HIWIRE SOFTWARE. DISKS AND FILES WILL BE ARCHIVED IN THE VAULT. REFERENCE DWG.
 DISK NAME ACG-3
 FILE NAME ACG-3.FPA
 ACG-3-SCH-03 DESIG. J3
 ACG-3-SCH-04 DESIG. P11
 ACG-3-SCH-06 DESIG. P4
 ACG-3-SCH-07 DESIG. J8
 ACG-3-SCH-08 DESIG. J1

REV	DESCRIPTION	APPROVED	DATE	REV	DESCRIPTION	APPROVED	DATE
				L	DOCUMENTATION PUT ON ENI FORMAT	<i>[Signature]</i>	6/12/92

ENI ELECTRONIC NAVIGATION INDUSTRIES INC. 100 HIGHPOWER ROAD ROCHESTER, NEW YORK 14623		DRAWN FUC DATE 4/92	FRONT PANEL SCHEMATIC DIAGRAM ACG-3
		CHK. <i>[Signature]</i> DATE 6/92	
		ENG. <i>[Signature]</i> DATE 6/92	DWG. NO. ACG-3-SCH-05
		APP. <i>[Signature]</i> DATE 6/92	
			SHEET 1 OF 1

REV
L

POSITION	FUNCTION
1	RF POWER (0-350W)
2	P.A. CURRENT (0-17.5A)
3	P.A. VOLTAGE (0-70V)
4	DRIVER CURRENT (0-7A)
5	DRIVER VOLTAGE (0-35V)



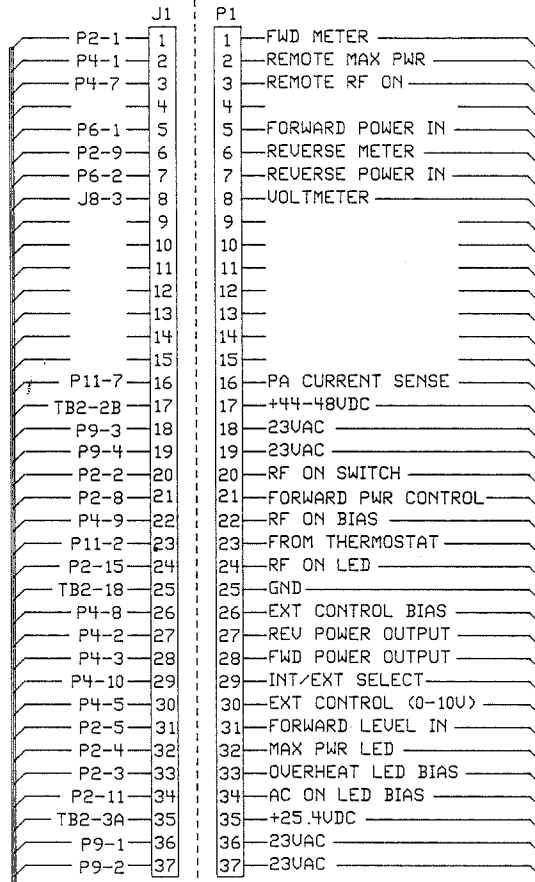
NOTE

- UNLESS OTHERWISE SPECIFIED
 - ALL RESISTOR VALUES IN OHMS
 - ALL CAPACITOR VALUES IN MICROFARADS
 - ALL INDUCTOR VALUES IN MICROHENRIES
- VOLTAGE MEASUREMENTS TAKEN WITH NO SIGNAL APPLIED USING A VOLTMETER WITH A HIGH INPUT IMPEDANCE (10 MEGOHMS OR GREATER).
- ALL VOLTAGES ARE DC POSITIVE WITH RESPECT TO GROUND UNLESS OTHERWISE NOTED.

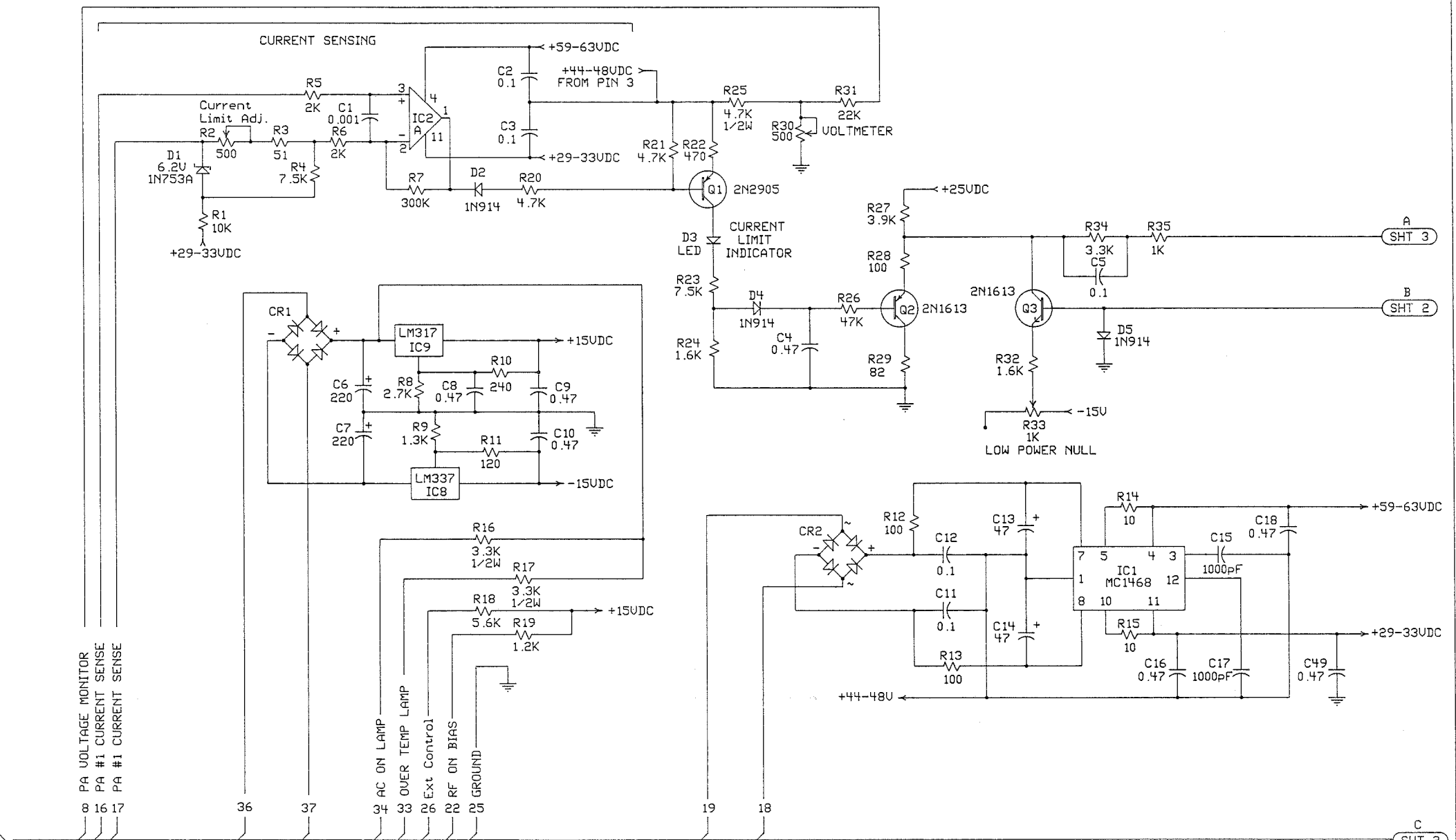
ENI ELECTRONIC NAVIGATION INDUSTRIES INC.
100 HIGHPOWER ROAD
ROCHESTER, NEW YORK 14623

REV	DESCRIPTION	APPROVED	DATE	REV	DESCRIPTION	APPROVED	DATE	DRAWN	FUC	DATE	TRANSFORMER ASSEMBLY SCHEMATIC DIAGRAM ACG-3
				L	DOCUMENTATION PUT ON ENI FORMAT	<i>[Signature]</i>	6/15/92	CHK.	<i>[Signature]</i>	6/16/92	DWG. NO. ACG-3-SCH-07
								ENG.	<i>[Signature]</i>	6/16/92	REVISION L
								APP.	<i>[Signature]</i>	6/16/92	SHEET 1 OF 1

NOTE: DOCUMENTATION GENERATED USING THE HIWIRE SOFTWARE. DISKS AND FILES WILL BE ARCHIVED IN THE VAULT.
REFERENCE DWG. DISK NAME ACG-3 FILE NAME ACG-3.TFA
ACG-3-SCH-03 DESIG. TB2
ACG-3-SCH-04 DESIG. P11
ACG-3-SCH-05 DESIG. P2
ACG-3-SCH-06 DESIG. J1



P2,P4,P6,J8,P11,TB2,P9



CONTROL BOARD
ACG-3-14702

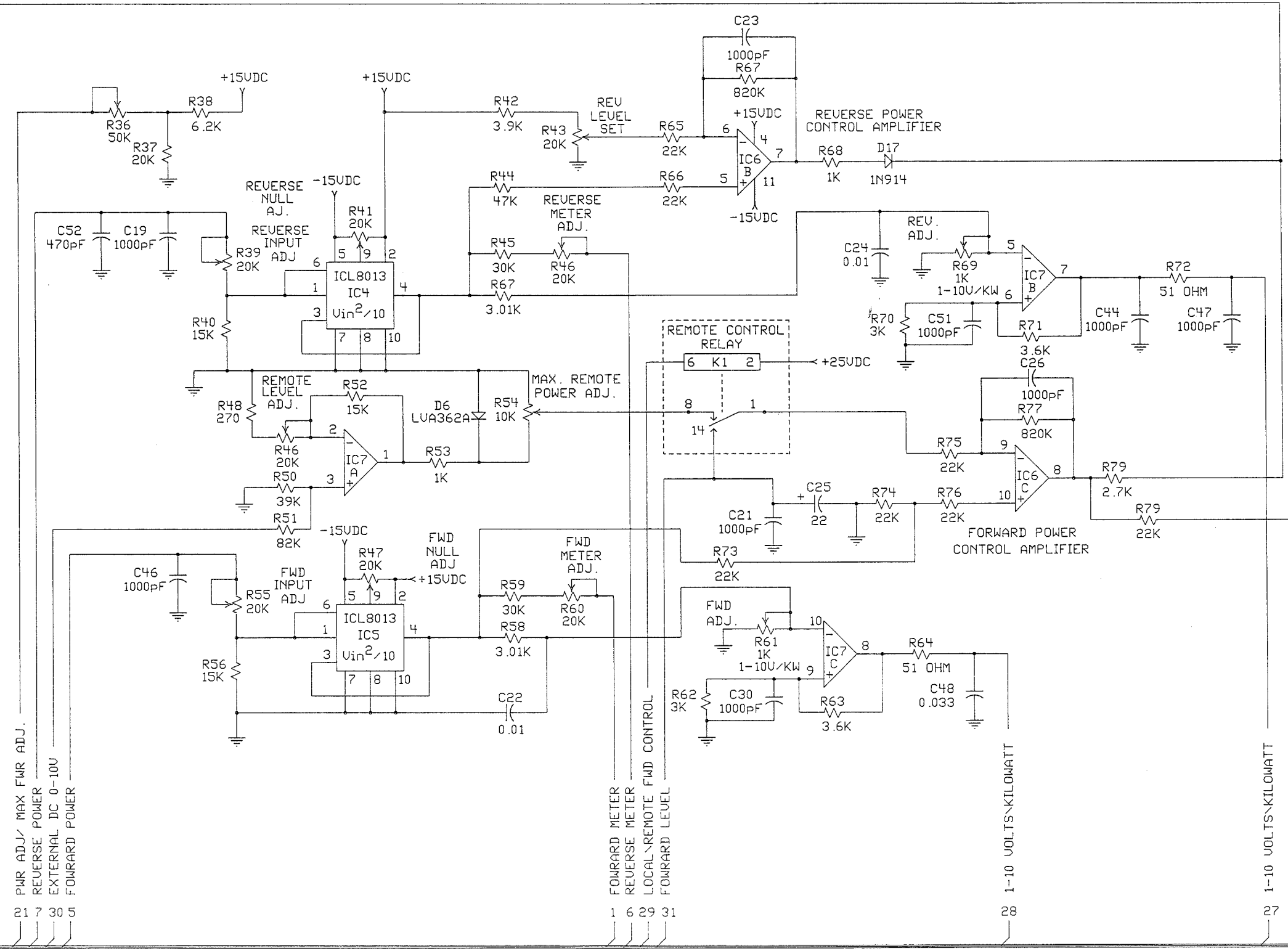
NOTE

- UNLESS OTHERWISE SPECIFIED
A. ALL RESISTOR VALUES IN OHMS
B. ALL CAPACITOR VALUES IN MICROFARADS
C. ALL INDUCTOR VALUES IN MICROHENRIES
- VOLTAGE MEASUREMENTS TAKEN WITH NO SIGNAL APPLIED USING A VOLTMETER WITH A HIGH INPUT IMPEDANCE (>10 MEGOHMS OR GREATER).
- ALL VOLTAGES ARE DC POSITIVE WITH RESPECT TO GROUND UNLESS OTHERWISE NOTED.

REV	DESCRIPTION	APPROVED	DATE	REV	DESCRIPTION	APPROVED	DATE	REV	DESCRIPTION	APPROVED	DATE	DRAWN	FUC	DATE	CONTROL BOARD SCHEMATIC DIAGRAM
								L	NO CHANGE. PUT ON ENI FORMAT	FUC	4/12/92	CHK	JAW	4/21/92	ACG-3
								M	ECO 5031	FUC	6/15/92	ENG	JAW	4/21/92	DWG. NO. ACG-3-SCH-08
												APP	TIL	6/17/92	SHEET 1 OF 3

ENI ELECTRONIC NAVIGATION INDUSTRIES INC.
100 HIGHPOWER ROAD
ROCHESTER, NEW YORK 14623

B
SHT 1



D
SHT 3

C
SHT 1

C
SHT 3

PWR ADJ. MAX FWR ADJ. 21
 REVERSE POWER 7
 EXTERNAL DC 0-10V 30
 FORWARD POWER 5

FORWARD METER 1
 REVERSE METER 6
 LOCAL REMOTE FWD CONTROL 29
 FORWARD LEVEL 31

1-10 VOLTS-KILOWATT 28

1-10 VOLTS-KILOWATT 27

